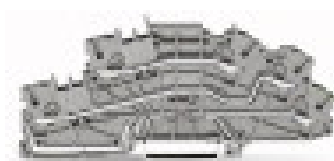


## Multilevel installation terminal block; L/L/PE

Item No.: 2003-6645



Multilevel installation terminal block; L/L/PE

### Marking

RoHS ✓  
Compliant

### Business data

Supplier	WAGO
Item no.	2003-6645
GTIN / EAN	4050821322054
Content	1
Order amount	50
Customer item number	

### Notes

### Technical data

#### Miscellaneous

Total number of connection points	5
Total number of potentials	3
Number of levels	3
Color	gray
Pollution degree (1)	3
Rated voltage EN (1) [V]	250 [V]
Rated surge voltage (1) [kV]	4 [kV]
Nominal current [A]	24 [A]
Degree of pollution (2)	3
Rated voltage EN (2) [V]	400 [V]

<b>Technical data</b>	
<i>Rated surge voltage (2) [kV]</i>	<i>6 [kV]</i>
<i>Connection technology (1)</i>	<i>Push-in CAGE CLAMP®</i>
<i>Nominal cross section 1</i>	<i>2.5 mm<sup>2</sup></i>
<i>Solid sizes 1</i>	<i>0.25 ... 4 mm<sup>2</sup> / 22 ... 12 AWG</i>
<i>solid, directly pluggable 1</i>	<i>0.75 ... 4 mm<sup>2</sup> / 18 ... 12 AWG</i>
<i>Fine-stranded wires 1</i>	<i>0.25 ... 4 mm<sup>2</sup> / 22 ... 12 AWG</i>
<i>min. fine-stranded with insulated ferrule, push-in terminati</i>	<i>0.75 mm<sup>2</sup> / 18 AWG</i>
<i>Strip length 1</i>	<i>10 ... 12 mm / 0.39 ... 0.47 in</i>
<i>Type of wiring</i>	<i>Front-entry wiring</i>
<i>Design</i>	<i>angled</i>
<i>Marking level</i>	<i>Center/Side marking</i>
<i>Insulating material</i>	<i>PA 6.6 V0</i>
<i>Fire load [MJ]</i>	<i>0.308 [MJ]</i>
<i>Weight [g]</i>	<i>20.148 [g]</i>
<i>Width</i>	<i>5.2 mm / 0.205 in</i>
<i>Height from upper-edge of DIN-rail</i>	<i>44.3 mm / 1.744 in</i>
<i>Length</i>	<i>110 mm / 4.331 in</i>
<i>Type of mounting</i>	<i>DIN 35 rail</i>

## Accessories

<i>Insulation stop</i>		
<i>Item no.</i>	<i>Description</i>	<i>Pack. unit (Sub Pack)</i>
2002-171	Insulation stop; 0.25 ... 0.5 mm <sup>2</sup> ; 5 pieces/strip	25
2002-172	Insulation stop; 0.75 ... 1 mm <sup>2</sup> ; 5 pieces/strip	25

**Accessories**

*Push-in type wire jumper*

Item no.	Description	Pack. unit (Sub Pack)
210-103	Wire commoning chain; insulated; 50 connections	1
210-123	Wire commoning chain; insulated; 50 connections	1
2009-412	Push-in type wire jumper; insulated; wire length 60 mm; conductor cross section 1.5 mm <sup>2</sup> ; suitable for 2001, 2002, 2003 and 2022 Series rail-mounted terminal blocks	10
2009-414	Push-in type wire jumper; insulated; wire length 110 mm; conductor cross section 1.5 mm <sup>2</sup> ; suitable for 2001, 2002, 2003 and 2022 Series rail-mounted terminal blocks	10
2009-416	Push-in type wire jumper; insulated; wire length 250 mm; conductor cross section 1.5 mm <sup>2</sup> ; suitable for 2001, 2002, 2003 and 2022 Series rail-mounted terminal blocks	10

**Accessories***Jumper*

Item no.	Description	Pack. unit (Sub Pack)
2002-473/011-000	Ready-made staggered jumper; insulated; 1-3; nominal current 25 A; with contact lugs broken off at the factory and circuit marking	25
2002-475/011-000	Ready-made staggered jumper; insulated; 1-3-5; nominal current 25 A; with contact lugs broken off at the factory and circuit marking	25
2002-477/011-000	Ready-made staggered jumper; insulated; 1-3-5-7; nominal current 25 A; with contact lugs broken off at the factory and circuit marking	25
2002-479/011-000	Ready-made staggered jumper; insulated; 1-3-5-7-9; nominal current 25 A; with contact lugs broken off at the factory and circuit marking	25
2002-481/011-000	Ready-made staggered jumper; insulated; 1-3-5-7-9-11; nominal current 25 A; with contact lugs broken off at the factory and circuit marking	25
2002-406/020-000	Delta jumper; insulated; 1-2 3-4 5-6; IN = IN terminal block	25
2002-402/000-005	Push-in type jumper bar; insulated; 2-way; nominal current 25 A	25
2002-403/000-005	Push-in type jumper bar; insulated; 3-way; nominal current 25 A	25
2002-404/000-005	Push-in type jumper bar; insulated; 4-way; nominal current 25 A	25
2002-405/000-005	Push-in type jumper bar; insulated; 5-way; nominal current 25 A	25
2002-406/000-005	Push-in type jumper bar; insulated; 6-way; nominal current 25 A	25
2002-407/000-005	Push-in type jumper bar; insulated; 7-way; nominal current 25 A	25
2002-408/000-005	Push-in type jumper bar; insulated; 8-way; nominal current 25 A	25
2002-409/000-005	Push-in type jumper bar; insulated; 9-way; nominal current 25 A	25
2002-410/000-005	Push-in type jumper bar; insulated; 10-way; nominal current 25 A	25
2002-402/000-006	Push-in type jumper bar; insulated; 2-way; nominal current 25 A	25
2002-403/000-006	Push-in type jumper bar; insulated; 3-way; nominal current 25 A	25
2002-404/000-006	Push-in type jumper bar; insulated; 4-way; nominal current 25 A	25
2002-405/000-006	Push-in type jumper bar; insulated; 5-way; nominal current 25 A	25
2002-406/000-006	Push-in type jumper bar; insulated; 6-way; nominal current 25 A	25
2002-407/000-006	Push-in type jumper bar; insulated; 7-way; nominal current 25 A	25
2002-408/000-006	Push-in type jumper bar; insulated; 8-way; nominal current 25 A	25
2002-409/000-006	Push-in type jumper bar; insulated; 9-way; nominal current 25 A	25
2002-410/000-006	Push-in type jumper bar; insulated; 10-way; nominal current 25 A	25
2002-400	Adjacent jumper for continuous commoning; insulated; 2-way; nominal current 25 A	25
2002-402	Push-in type jumper bar; insulated; 2-way; nominal current 25 A	25
2002-403	Push-in type jumper bar; insulated; 3-way; nominal current 25 A	25

**Accessories**

2002-404	Push-in type jumper bar; insulated; 4-way; nominal current 25 A	25
2002-405	Push-in type jumper bar; insulated; 5-way; nominal current 25 A	25
2002-406	Push-in type jumper bar; insulated; 6-way; nominal current 25 A	25
2002-407	Push-in type jumper bar; insulated; 7-way; nominal current 25 A	25
2002-408	Push-in type jumper bar; insulated; 8-way; nominal current 25 A	25
2002-409	Push-in type jumper bar; insulated; 9-way; nominal current 25 A	25
2002-410	Push-in type jumper bar; insulated; 10-way; nominal current 25 A	25
2002-433	Push-in type jumper bar; insulated; from 1 to 3; nominal current 25 A	25
2002-434	Push-in type jumper bar; insulated; from 1 to 4; nominal current 25 A	25
2002-435	Push-in type jumper bar; insulated; from 1 to 5; nominal current 25 A	25
2002-436	Push-in type jumper bar; insulated; from 1 to 6; nominal current 25 A	25
2002-437	Push-in type jumper bar; insulated; from 1 to 7; nominal current 25 A	25
2002-438	Push-in type jumper bar; insulated; from 1 to 8; nominal current 25 A	25
2002-439	Push-in type jumper bar; insulated; from 1 to 9; nominal current 25 A	25
2002-440	Push-in type jumper bar; insulated; from 1 to 10; nominal current 25 A	25
2002-472	Staggered jumper; insulated; 2-way; nominal current 25 A; suitable for 2002 and 2003 Series rail-mounted terminal blocks	25
2002-473	Staggered jumper; insulated; 3-way; nominal current 25 A; suitable for 2002 and 2003 Series rail-mounted terminal blocks	25
2002-474	Staggered jumper; insulated; 4-way; nominal current 25 A; suitable for 2002 and 2003 Series rail-mounted terminal blocks	25
2002-475	Staggered jumper; insulated; 5-way; nominal current 25 A; suitable for 2002 and 2003 Series rail-mounted terminal blocks	25
2002-476	Staggered jumper; insulated; 6-way; nominal current 25 A; suitable for 2002 and 2003 Series rail-mounted terminal blocks	25
2002-477	Staggered jumper; insulated; 7-way; nominal current 25 A; suitable for 2002 and 2003 Series rail-mounted terminal blocks	25
2002-478	Staggered jumper; insulated; 8-way; nominal current 25 A; suitable for 2002 and 2003 Series rail-mounted terminal blocks	25
2002-479	Staggered jumper; insulated; 9-way; nominal current 25 A; suitable for 2002 and 2003 Series rail-mounted terminal blocks	25
2002-480	Staggered jumper; insulated; 10-way; nominal current 25 A; suitable for 2002 and 2003 Series rail-mounted terminal blocks	25
2002-481	Staggered jumper; insulated; 11-way; nominal current 25 A; suitable for 2002 and 2003 Series rail-mounted terminal blocks	25

**Accessories**

2002-482	Staggered jumper; insulated; 12-way; nominal current 25 A; suitable for 2002 and 2003 Series rail-mounted terminal blocks	25
2002-405/011-000	Star point jumper; insulated; 1-3-5; IN = IN terminal block	25

**End plate**

Item no.	Description	Pack. unit (Sub Pack)
2003-6692	End and intermediate plate; 0.8 mm thick	25
2009-304	Busbar carrier; not suitable for use as end stop; for DIN 35 rail; 1.5 mm thick	25
2009-305	Busbar carrier; with end stop function and detachable separator plate; for DIN 35 rail; 7.5 mm thick	25

**Carrier rail**

Item no.	Description	Pack. unit (Sub Pack)
210-112	Steel carrier rail; 35 x 7.5 mm; 1 mm thick; 2 m long; slotted; according to en 60715; "Hole width 25 mm	1
210-113	Steel carrier rail; 35 x 7.5 mm; 1 mm thick; 2 m long; unslotted; according to en 60715	1
210-114	Steel carrier rail; 35 x 15 mm; 1.5 mm thick; 2 m long; unslotted; according to en 60715	1
210-115	Steel carrier rail; 35 x 7.5 mm; 1 mm thick; 2 m long; slotted; according to en 60715; "Hole width 18 mm	1
210-118	Steel carrier rail; 35 x 15 mm; 2.3 mm thick; 2 m long; unslotted; according to en 60715	1
210-196	Aluminum carrier rail; 35 x 8.2 mm; 1.6 mm thick; 2 m long; unslotted; according to en 60715	1
210-197	Steel carrier rail; 35 x 15 mm; 1.5 mm thick; 2 m long; slotted; according to en 60715	1
210-198	Copper carrier rail; 35 x 15 mm; 2.3 mm thick; 2 m long; unslotted; according to en 60715	1

**Accessories***Marking accessories*

Item no.	Description	Pack. unit (Sub Pack)
248-501	Miniature WSB quick marking system; plain; Marker width 5 mm; 10 strips with 10 markers per card	5
793-501	WMB Multi marking system; plain; for terminal block width 5 - 17.5 mm; 10 strips with 10 markers per card	5
793-5501	WMB Multi marking system; plain; for terminal block width 5 - 17.5 mm; stretchable 5 - 5.2 mm; 10 strips with 10 markers per card	5
2009-110	Marking strips; plain; 11 mm wide; 50m roll; for TOPJOB@S Series	1
2009-115	WMB Inline; plain; 1,500 WMB markers (5 mm) on roll; stretchable 5 - 5.2 mm	1
2009-135	WMB Inline; plain; 8,000 WMB markers (5 mm) on roll; stretchable 5 - 5.2 mm	1
2009-145	Mini-WSB Inline; plain; 1,700 Mini-WSB markers (5 mm) on roll; stretchable 5 - 5.2 mm	1
248-501/000-002	Miniature WSB quick marking system; plain; Marker width 5 mm; 10 strips with 10 markers per card	5
248-501/000-005	Miniature WSB quick marking system; plain; Marker width 5 mm; 10 strips with 10 markers per card	5
248-501/000-006	Miniature WSB quick marking system; plain; Marker width 5 mm; 10 strips with 10 markers per card	5
248-501/000-007	Miniature WSB quick marking system; plain; Marker width 5 mm; 10 strips with 10 markers per card	5
248-501/000-012	Miniature WSB quick marking system; plain; Marker width 5 mm; 10 strips with 10 markers per card	5
248-501/000-017	Miniature WSB quick marking system; plain; Marker width 5 mm; 10 strips with 10 markers per card	5
248-501/000-023	Miniature WSB quick marking system; plain; Marker width 5 mm; 10 strips with 10 markers per card	5
793-501/000-006	WMB Multi marking system; plain; for terminal block width 5 - 17.5 mm; 10 strips with 10 markers per card	5
793-501/000-005	WMB Multi marking system; plain; for terminal block width 5 - 17.5 mm; 10 strips with 10 markers per card	5
793-501/000-002	WMB Multi marking system; plain; for terminal block width 5 - 17.5 mm; 10 strips with 10 markers per card	5
793-501/000-007	WMB Multi marking system; plain; for terminal block width 5 - 17.5 mm; 10 strips with 10 markers per card	5
793-501/000-012	WMB Multi marking system; plain; for terminal block width 5 - 17.5 mm; 10 strips with 10 markers per card	5

**Accessories**

793-501/000-017	WMB Multi marking system; plain; for terminal block width 5 - 17.5 mm; 10 strips with 10 markers per card	5
793-501/000-023	WMB Multi marking system; plain; for terminal block width 5 - 17.5 mm; 10 strips with 10 markers per card	5
793-501/000-024	WMB Multi marking system; plain; for terminal block width 5 - 17.5 mm; 10 strips with 10 markers per card	5
793-5566/000-023	WMB Multi marking system; Horizontal marking; 1 ... 50 (2x); for terminal block width 5 - 17.5 mm; stretchable 5 - 5.2 mm; 10 strips with 10 markers per card; consecutive numbers each strip	5
793-5501/000-002	WMB Multi marking system; plain; for terminal block width 5 - 17.5 mm; stretchable 5 - 5.2 mm; 10 strips with 10 markers per card	5
793-5501/000-005	WMB Multi marking system; plain; for terminal block width 5 - 17.5 mm; stretchable 5 - 5.2 mm; 10 strips with 10 markers per card	5
793-5501/000-006	WMB Multi marking system; plain; for terminal block width 5 - 17.5 mm; stretchable 5 - 5.2 mm; 10 strips with 10 markers per card	5
793-5501/000-007	WMB Multi marking system; plain; for terminal block width 5 - 17.5 mm; stretchable 5 - 5.2 mm; 10 strips with 10 markers per card	5
793-5501/000-012	WMB Multi marking system; plain; for terminal block width 5 - 17.5 mm; stretchable 5 - 5.2 mm; 10 strips with 10 markers per card	5
793-5501/000-017	WMB Multi marking system; plain; for terminal block width 5 - 17.5 mm; stretchable 5 - 5.2 mm; 10 strips with 10 markers per card	5
793-5501/000-023	WMB Multi marking system; plain; for terminal block width 5 - 17.5 mm; stretchable 5 - 5.2 mm; 10 strips with 10 markers per card	5
793-5501/000-024	WMB Multi marking system; plain; for terminal block width 5 - 17.5 mm; stretchable 5 - 5.2 mm; 10 strips with 10 markers per card	5
793-5566/000-005	WMB Multi marking system; Horizontal marking; 1 ... 50 (2x); for terminal block width 5 - 17.5 mm; stretchable 5 - 5.2 mm; 10 strips with 10 markers per card; consecutive numbers each strip	5
793-5566/000-006	WMB Multi marking system; Horizontal marking; 1 ... 50 (2x); for terminal block width 5 - 17.5 mm; stretchable 5 - 5.2 mm; 10 strips with 10 markers per card; consecutive numbers each strip	5
793-5566/000-002	WMB Multi marking system; Horizontal marking; 1 ... 50 (2x); for terminal block width 5 - 17.5 mm; stretchable 5 - 5.2 mm; 10 strips with 10 markers per card; consecutive numbers each strip	5
793-5566/000-007	WMB Multi marking system; Horizontal marking; 1 ... 50 (2x); for terminal block width 5 - 17.5 mm; stretchable 5 - 5.2 mm; 10 strips with 10 markers per card; consecutive numbers each strip	5



**Accessories**

793-5566/000-012	WMB Multi marking system; Horizontal marking; 1 ... 50 (2x); for terminal block width 5 - 17.5 mm; stretchable 5 - 5.2 mm; 10 strips with 10 markers per card; consecutive numbers each strip	5
793-5566/000-017	WMB Multi marking system; Horizontal marking; 1 ... 50 (2x); for terminal block width 5 - 17.5 mm; stretchable 5 - 5.2 mm; 10 strips with 10 markers per card; consecutive numbers each strip	5
793-5566/000-024	WMB Multi marking system; Horizontal marking; 1 ... 50 (2x); for terminal block width 5 - 17.5 mm; stretchable 5 - 5.2 mm; 10 strips with 10 markers per card; consecutive numbers each strip	5
793-5602/000-005	WMB Multi marking system; Vertical marking; 1 ... 10 (10x); for terminal block width 5 - 17.5 mm; stretchable 5 - 5.2 mm; 10 strips with 10 markers per card; consecutive numbers each strip	5
793-5603/000-005	WMB Multi marking system; Vertical marking; 11 ... 20 (10x); for terminal block width 5 - 17.5 mm; stretchable 5 - 5.2 mm; 10 strips with 10 markers per card; consecutive numbers each strip	5
793-5680/000-002	WMB Multi marking system; Vertical marking; Ground (100x); for terminal block width 5 - 17.5 mm; stretchable 5 - 5.2 mm; 10 strips with 10 markers per card; Same letters/symbols each strip	5
793-5677/000-006	WMB Multi marking system; Vertical marking; N (100x); for terminal block width 5 - 17.5 mm; stretchable 5 - 5.2 mm; 10 strips with 10 markers per card; Same letters/symbols each strip	5
793-5507/000-023	WMB Multi marking system; Horizontal marking; 51 ... 100 (2x); for terminal block width 5 - 17.5 mm; 10 strips with 10 markers per card; consecutive numbers each strip; for terminal block width 4 - 4.2 mm	5
793-5508/000-006	WMB Multi marking system; Horizontal marking; 101 ... 150 (2x); for terminal block width 5 - 17.5 mm; stretchable 5 - 5.2 mm; 10 strips with 10 markers per card; consecutive numbers each strip	5
793-5502/000-002	WMB Multi marking system; Horizontal marking; 1 ... 10 (10x); for terminal block width 5 - 17.5 mm; stretchable 5 - 5.2 mm; 10 strips with 10 markers per card; consecutive numbers each strip	5
793-5502/000-005	WMB Multi marking system; Horizontal marking; 1 ... 10 (10x); for terminal block width 5 - 17.5 mm; stretchable 5 - 5.2 mm; 10 strips with 10 markers per card; consecutive numbers each strip	5
793-5502/000-006	WMB Multi marking system; Horizontal marking; 1 ... 10 (10x); for terminal block width 5 - 17.5 mm; stretchable 5 - 5.2 mm; 10 strips with 10 markers per card; consecutive numbers each strip	5
793-5502/000-007	WMB Multi marking system; Horizontal marking; 1 ... 10 (10x); for terminal block width 5 - 17.5 mm; stretchable 5 - 5.2 mm; 10 strips with 10 markers per card; consecutive numbers each strip	5

**Accessories**

793-5502/000-012	WMB Multi marking system; Horizontal marking; 1 ... 10 (10x); for terminal block width 5 - 17.5 mm; stretchable 5 - 5.2 mm; 10 strips with 10 markers per card; consecutive numbers each strip	5
793-5502/000-017	WMB Multi marking system; Horizontal marking; 1 ... 10 (10x); for terminal block width 5 - 17.5 mm; stretchable 5 - 5.2 mm; 10 strips with 10 markers per card; consecutive numbers each strip	5
793-5502/000-023	WMB Multi marking system; Horizontal marking; 1 ... 10 (10x); for terminal block width 5 - 17.5 mm; stretchable 5 - 5.2 mm; 10 strips with 10 markers per card; consecutive numbers each strip	5
793-5502/000-024	WMB Multi marking system; Horizontal marking; 1 ... 10 (10x); for terminal block width 5 - 17.5 mm; stretchable 5 - 5.2 mm; 10 strips with 10 markers per card; consecutive numbers each strip	5
793-5503/000-002	WMB Multi marking system; Horizontal marking; 11 ... 20 (10x); for terminal block width 5 - 17.5 mm; stretchable 5 - 5.2 mm; 10 strips with 10 markers per card; consecutive numbers each strip	5
793-5503/000-005	WMB Multi marking system; Horizontal marking; 11 ... 20 (10x); for terminal block width 5 - 17.5 mm; stretchable 5 - 5.2 mm; 10 strips with 10 markers per card; consecutive numbers each strip	5
793-5503/000-006	WMB Multi marking system; Horizontal marking; 11 ... 20 (10x); for terminal block width 5 - 17.5 mm; stretchable 5 - 5.2 mm; 10 strips with 10 markers per card; consecutive numbers each strip	5
793-5503/000-007	WMB Multi marking system; Horizontal marking; 11 ... 20 (10x); for terminal block width 5 - 17.5 mm; stretchable 5 - 5.2 mm; 10 strips with 10 markers per card; consecutive numbers each strip	5
793-5503/000-012	WMB Multi marking system; Horizontal marking; 11 ... 20 (10x); for terminal block width 5 - 17.5 mm; stretchable 5 - 5.2 mm; 10 strips with 10 markers per card; consecutive numbers each strip	5
793-5503/000-017	WMB Multi marking system; Horizontal marking; 11 ... 20 (10x); for terminal block width 5 - 17.5 mm; stretchable 5 - 5.2 mm; 10 strips with 10 markers per card; consecutive numbers each strip	5
793-5503/000-023	WMB Multi marking system; Horizontal marking; 11 ... 20 (10x); for terminal block width 5 - 17.5 mm; stretchable 5 - 5.2 mm; 10 strips with 10 markers per card; consecutive numbers each strip	5
793-5503/000-024	WMB Multi marking system; Horizontal marking; 11 ... 20 (10x); for terminal block width 5 - 17.5 mm; stretchable 5 - 5.2 mm; 10 strips with 10 markers per card; consecutive numbers each strip	5

**Accessories**

793-5507/000-024	WMB Multi marking system; Horizontal marking; 51 ... 100 (2x); for terminal block width 5 - 17.5 mm; stretchable 5 - 5.2 mm; 10 strips with 10 markers per card; consecutive numbers each strip	5
793-5508/000-024	WMB Multi marking system; Horizontal marking; 101 ... 150 (2x); for terminal block width 5 - 17.5 mm; stretchable 5 - 5.2 mm; 10 strips with 10 markers per card; consecutive numbers each strip	5
793-5554/000-012	WMB Multi marking system; Horizontal marking; 60, 70 ... 100 (20 each); decade marking with red printing; for terminal block width 5 - 17.5 mm; stretchable 5 - 5.2 mm; 10 strips with 10 markers per card; 2 strips each with same numbers	5

**Protective warning marker**

Item no.	Description	Pack. unit (Sub Pack)
2002-115	Protective warning marker; with high-voltage symbol, black; for 5 terminal blocks	25

**N-busbar**

Item no.	Description	Pack. unit (Sub Pack)
210-133	Busbar; tin-plated; 1000 mm long; Cu 10 mm x 3 mm	1

**General accessory**

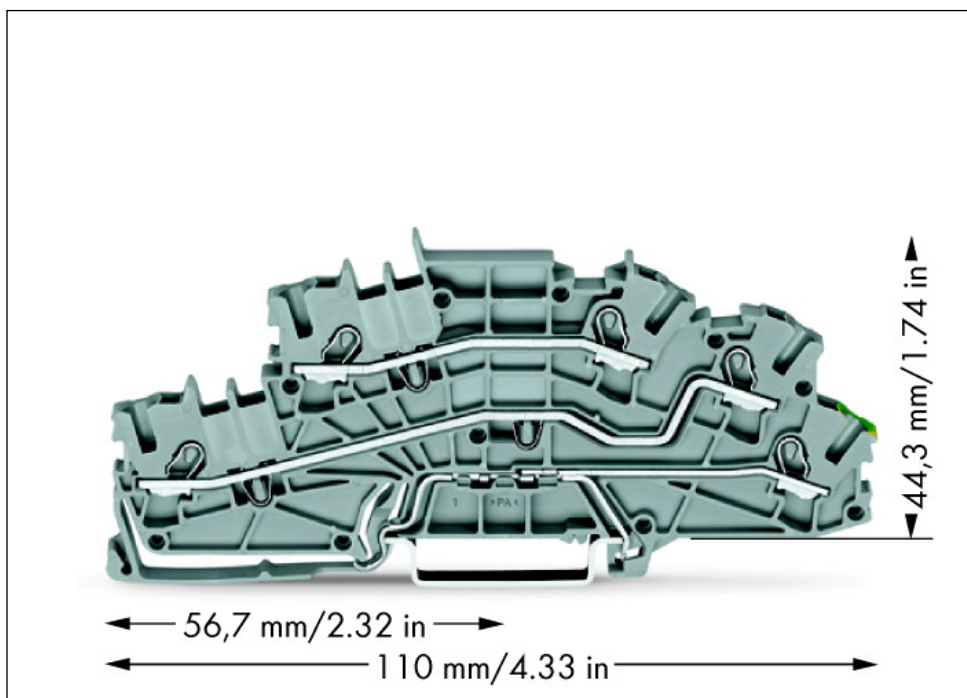
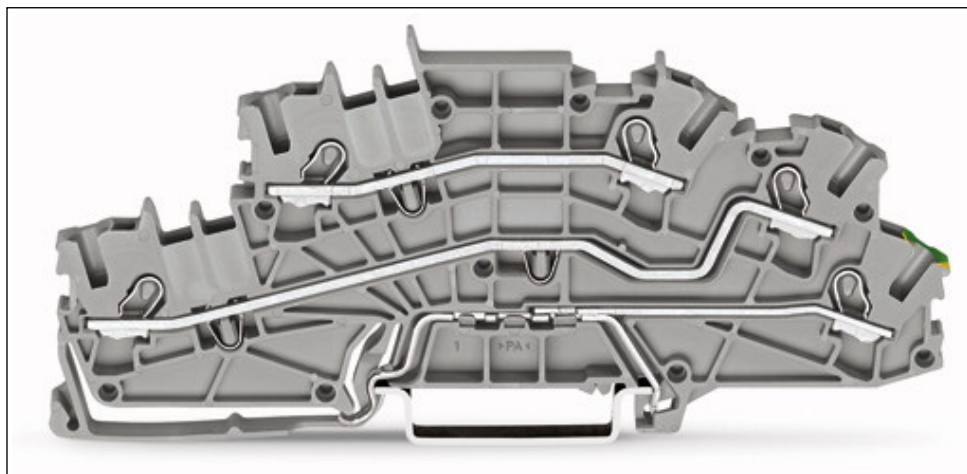
Item no.	Description	Pack. unit (Sub Pack)
209-105	Connector; for busbar; 2.5 mm <sup>2</sup> ... 35 mm <sup>2</sup>	50
210-136	Test plug; 2 mm Ø; with 500 mm cable	1
210-281	Connector; for busbar; with blue cover; 2.5 mm <sup>2</sup> ... 16 mm <sup>2</sup>	50
777-303	N-busbar cover; 1000 mm long	1
2009-174	Test plug adapter; for test plug 4 mm Ø; for testing TOPJOB®S rail-mounted terminal blocks	25
2009-182	Testing tap; for max. 2.5 mm <sup>2</sup> ; tool-free connection for individual test wires 0.08 - 2.5 mm <sup>2</sup>	25
2009-191	TOPJOB®S group marker carrier; snap-on type for jumper slot; 5 mm wide	25
2009-192	TOPJOB®S group marker carrier; snap-on type for jumper slot; 10 mm wide	25
2009-193	TOPJOB®S group marker carrier; snap-on type for jumper slot; 15 mm wide	25
2009-309	Operating tool; Blades: 3.5 mm and 2.5 mm; for TOPJOB®S installation terminal blocks	1
2009-310	Operating tool; Blades: 3.5 mm and 5.5 mm; for TOPJOB®S installation terminal blocks	1
2016-7114	1-Conductor n-disconnect terminal block; n-supply terminal block	25
210-400/2000-001	Stickers for operating instructions; for TOPJOB®S rail-mounted terminal blocks; 2001/2002/2004/2006/2010/2016 Series	1

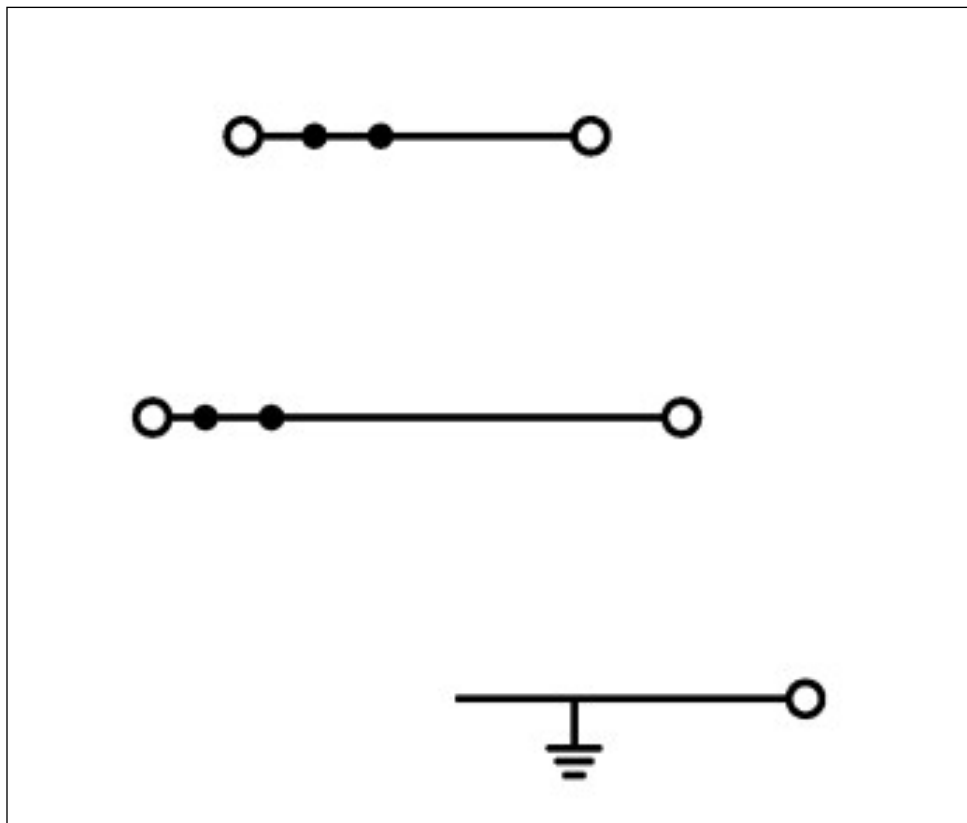
**Accessories**

*Screwless end stop*

Item no.	Description	Pack. unit (Sub Pack)
249-116	Screwless end stop; 6 mm wide	25
249-117	Screwless end stop; 10 mm wide	25

Images & drawings





#### Address

WAGO Kontakttechnik GmbH & Co. KG

Hansastr. 27

32423 Minden

Telefon: 0571/887-0

Fax: 0571/887-169

<http://www.wago.com>

© WAGO Kontakttechnik GmbH & Co. KG

Technische Änderungen und Irrtümer vorbehalten.